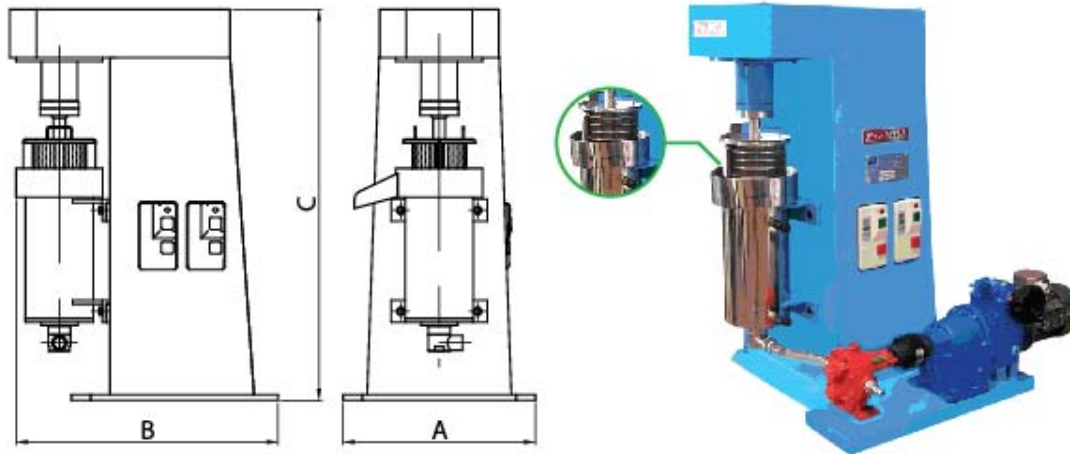




P-Mill Grinding for Laboratory

Vertical Mill for Laboratory



Vertical Mill for Laboratory

- ❖ Medium Capacity
- ❖ Continuous Feeder

Option

- Explosion proof type of motor and control panel
- Gear pump set

Model	Shell Volume (liters)	Vessel Capacity (liters)	Out-let l/h	Mill Motor (HP)	A Width (mm)	B Length (mm)	C Height (mm)	Weight (Kg)
P-Sand 2G/2G Ex	2.5	2.1	5-10	2	400	560	810	75

P.General Products : 234 Moo.5,Prakasa Road.,Prakasa,Muang,Samutprakarn 10280 Thailand.

Tel:(662)728-5246-8 Fax:(662)728-5249

E-mail:info@p-general.com